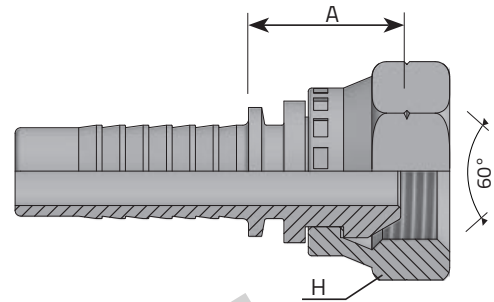




METRIC FEMALE - 60° CONE (1)

FEMMINA METRICA SV 60°
 FEMELLE DROIT MÉTRIQUE CÔNE 60°
 DKM 60° KONUS
 HEMBRA GIRATORIA MÉTRICA CONO 60°



Code	Tube		Thread		Dimensions		Pressure	
	D.N.	Hose	Diam	T	H	A	Bar	Psi
	Inch		mm	mm	mm	mm		
FDM0310	-3	3/16"	4.8	M10 x 1	15	18	350	5076
FDM0312	-3	3/16"	4.8	M12 x 1.5	17	18	350	5076
FDM0410	-4	1/4"	6.4	M10 x 1	15	18	350	5076
FDM0412	-4	1/4"	6.4	M12 x 1.5	17	18	350	5076
FDM0414	-4	1/4"	6.4	M14 x 1.5	19	18	350	5076
FDM0416	-4	1/4"	6.4	M16 x 1.5	22	19	350	5076
FDM0418	-4	1/4"	6.4	M18 x 1.5	22	19	350	5076
FDM0514	-5	5/16"	7.9	M14 x 1.5	19	18	350	5076
FDM0516	-5	5/16"	7.9	M16 x 1.5	22	19	350	5076
FDM0518	-5	5/16"	7.9	M18 x 1.5	22	19	350	5076
FDM0614	-6	3/8"	9.5	M14 x 1.5	19	19	350	5076
FDM0616	-6	3/8"	9.5	M16 x 1.5	22	20	350	5076
FDM0618	-6	3/8"	9.5	M18 x 1.5	22	20	350	5076
FDM0620	-6	3/8"	9.5	M20 x 1.5	27	21	315	4568
FDM0622	-6	3/8"	9.5	M22 x 1.5	27	21	315	4568
FDM0818	-8	1/2"	12.8	M18 x 1.5	24	20	315	4568